

# ER9V

## Lithium Thionyl Chloride Battery

### Brief Datasheet

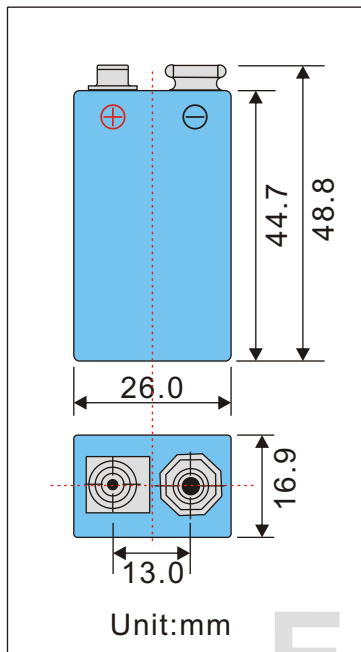
#### 1 Basic Specification

(Typical values relative to cells stored for one year or less at +30°C max.)

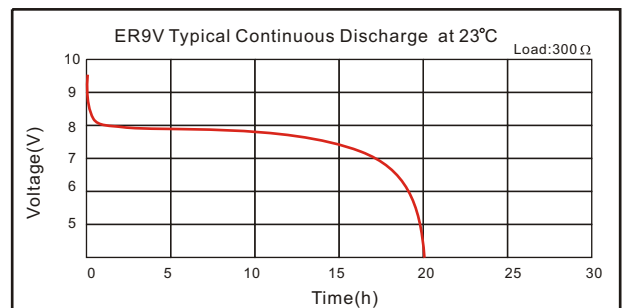
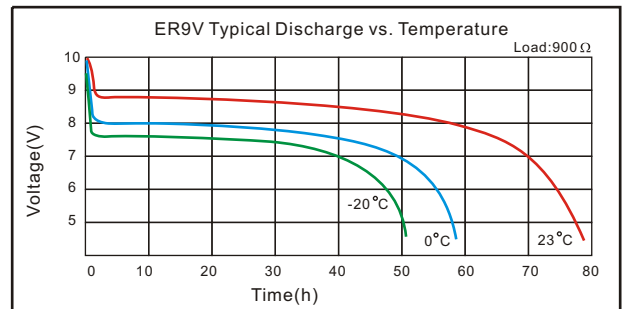
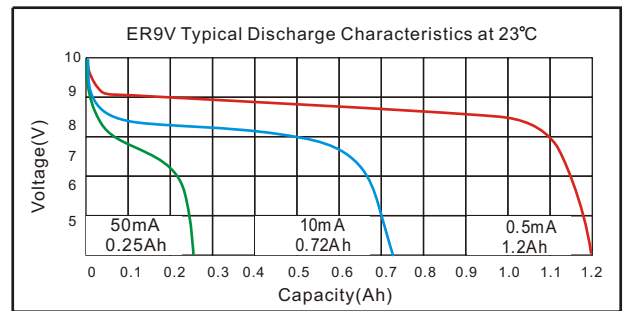
Nominal capacity ( at 1mA +23°C, 2.0V cut off )	1200mAh
Nominal voltage	10.8V
Standard discharge current	1mA
Maximum continuous current	35mA
Maximum pulse current	100mA
Operating temperature range	-55°C- +85°C
Storage temperature (recommended )	+30°C Max
Weight	29g

\*Energy type is bobbin structure and best suit for low current discharge. It may require depassivation before medium currents can be delivered.

#### 2 Dimension



#### 3 Electrical Characteristics



ENERGY TYPE

Note: Any representations in this brochure concerning performance, are for informational purposes only and are not construed as warranties either expressed or implied, of future performance.