

ER14250M Lithium Thionyl Chloride Battery

Brief Datasheet

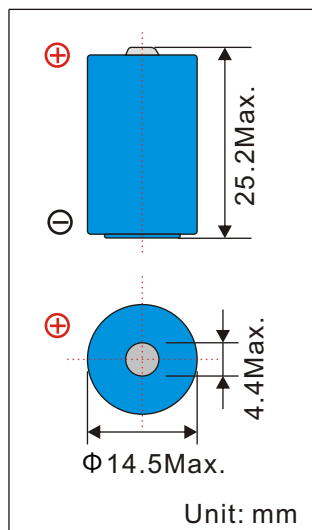
1 Basic Specification

(Typical values relative to cells stored for one year or less at +30°C max.)

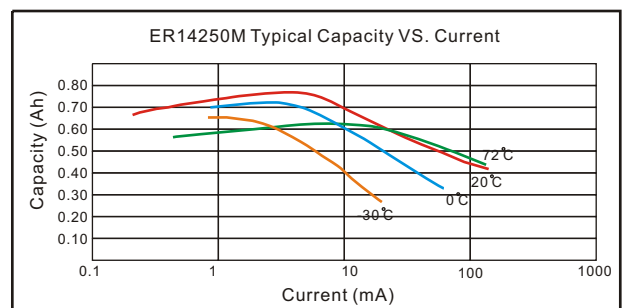
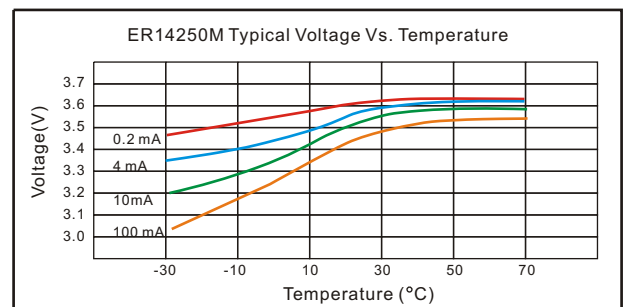
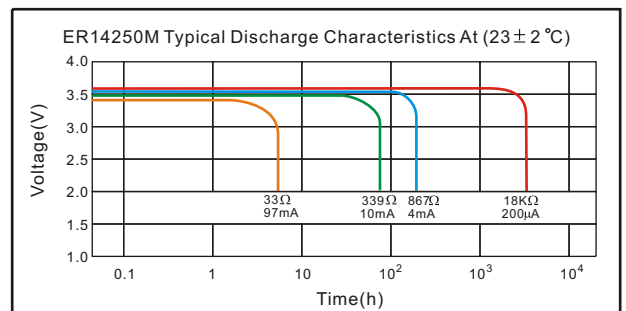
Nominal capacity (at 4mA +23°C, 2.0V cut off)	750mAh
Nominal voltage	3.6V
Standard discharge current	4mA
Maximum continuous current	120mA
Maximum pulse current	250mA
Operating temperature range	-55°C- +85°C
Storage temperature (recommended)	+30°C Max
Weight	10g

*High power type is spiral structure and best suit for high current discharge.

2 Dimension



3 Electrical Characteristics



Hi-POWER TYPE

Note: Any representations in this brochure concerning performance, are for informational purposes only and are not construed as warranties either expressed or implied, of future performance.